

H.264 Outdoor Full HD Speed Dome IP Camera

- Optical 30X, Digital 12X Selectable, AutoFocus
- Full Frame at HD1080p, Two-way Audio
- Video Compression: H.264, MJPEG (Dual Stream)
- Day & Night (IR Cut Filter), DSS and WDR
- **PoE+** (IEEE802.3at), IP66, IK10
- Embedded Intelligent Video Analytic
- PTZ Object Autotracking, fit with VCAfollow license
- Leading edge Pan/Tilt technology delivers max 600°/s, min 0.01°/s and ±0.1° preset accuracy
- Controlling Pan/Tilt Speed While Zooming



Specifications

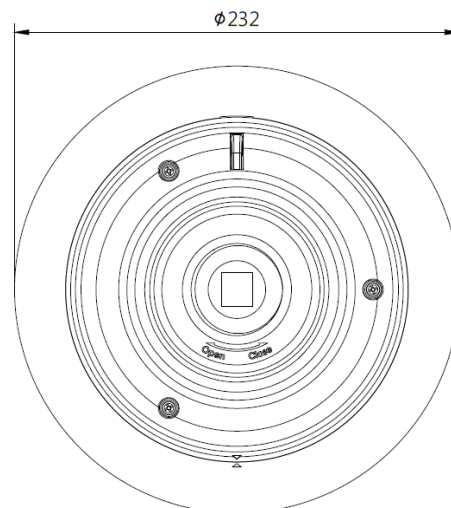
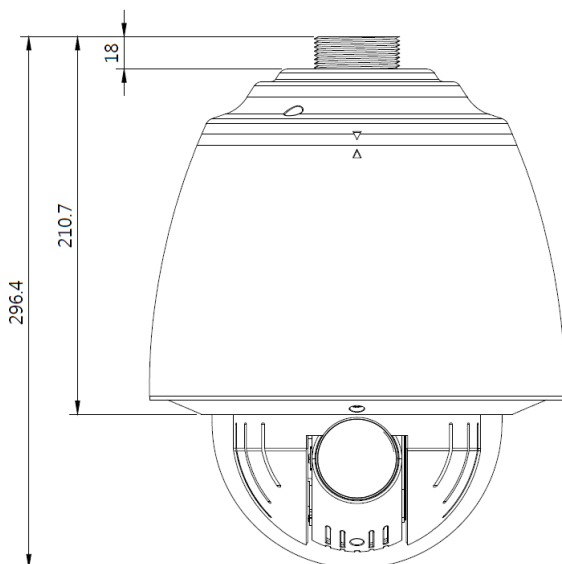
CAMERA		DOME	
Model	RC4602HD-6416A-30: Outdoor Version, 30x; AF	Privacy Zone Mask	8 Configurable regions to hidden areas or objects. Dynamic display position and size to cover continually same area independent from actual P/T/Z position.
Image Sensor	1/2.8" 1080p CMOS progressive scan	Mouse operated PTZ Control	Mouse selected area or object will display automatically in middle of the image. Automatic control of zoom ratio and pan/tilt function to provide best view.
Effective Pixels	1920 X 1080	Auto Flip	On / Off – Automatic (180°) flip of the camera head if tracked object passing directly beneath unit.
Minimum Illumination	Color: 1.4 Lux (50 IRE) / 0.35Lux (DSS) B/W: 0.05 Lux (50 IRE) / 0.013Lux (DSS)	VIDEO	
Lens	Optical	Video Compression	H.264 Baseline, Main, High profile (MPEG-4 Part 10/ AVC), MJPEG (Motion JPEG)
	Digital	Video Streaming Unicast / Multicast	Dual Stream, Independent Configurable H.264: Controllable frame rate and image resolution, video stream bandwidth limitation (CVBR/CBR) MJPEG: Controllable frame rate and image resolution, JPEG quality
Angle of View	Horizontal approx: 63.7°(Wide) x 2.3°(Tele)	Resolutions	16:9 mode
Shutter Time	1/10,000 s to 1/2s		4:3 mode
Shutter Exposure Modes	Automatic or Flicker-Control - 50/60Hz	Frame Rate	H.264: Configurable up to max 30fps in all resolution* MJPEG: Configurable up to max 30fps in all resolution*
Day & Night Switching	Auto/Manual Removable IR Cut Filter	Motion Detection	Max. 8 zones with independent configuration of detection sensitivity and target object size
Image Settings	Configurable brightness, contrast, saturation, sharpness, vertical flip & horizontal mirror function	Defogging	Selectable Defogging level (low, medium, high)
DNR	Configurable digital noise reduction ((0-3)	Burnt-in Text	Time / Date / Name (Name up to 48 characters), flexible display position
Wide Dynamic Range	Support WDR (130dB)	AUDIO	
Exposure Adjustment	+1.0, +0.6, +0.3, 0, -0.3, -0.6, -1.0 EV	Input /Output	Line-In 0.178Vp-p, 10KΩ Line-Out: 2.26Vp-p , 10KΩ
White Balance	ATW / Indoor / Outdoor / Manual	Two-way Audio	Supported
DSS (Sens-up)	Configurable digital slow shutter 2X ~ 16X	Compression Format	G.711-uLaw
BLC	Back Light Compensation On/Off	NETWORK	
SNR	> 50dB	Ethernet Standard/IP	10 / 100 Base-T / IPv4, IPv6
AGC	Auto/Manual	Protocol	QoS Layer 3 DiffServ, TCP/IP, UDP/IP, HTTP, HTTPS, FTP, RTSP, RTCP, RTP/UDP, RTP/TCP, mDNS, UPnP™, SMTP,DHCP, DNS, DynDNS, NTP, SNMPv1/v2c/v3(MIB-II), IGMP,ICMP, SSLv2/v3, TLSv1, SRTP, RTMP, unicast, multicast
PAN / TILT		Users Connection	Live viewing for up to 20 clients (unicast **) Live viewing for unlimited users (multicast H.264)
Pan Rotation Angle	360° Endless Rotation	Security	HTTPS(SSL), IP Filtering, Multi-level access with password protection
Pan Speed	Manual	GENERAL	
	Preset	I/O Terminal	4x Alarm In - max 50mA@5VDC, TTL 2x Alarm Out – max. 1A@30VDC Relay Rating
Tilt Rotation Angle	-5° ~ 185°		
Tilt Speed	Manual		
	Preset		
System Accuracy	Max. ± 0.1°(Preset Accuracy) , 0.002° (Resolution)		
Manual Lens Zoom Speed	3.2 ~ 4.6 sec (1x to 30x)		
DOME			
Presets	255 positions with 15 character labels available for each position with different speed steps		
Guard Tour	Max 6 Groups (Each one consisting up to 64 steps)		
Auto Run	Start of programmed Auto Run Function after elapsing setup time for non PTZ operation Go to: Home Position or Preset Number (1-255); Start: Tour (1-6) or Auto Panning		

GENERAL	
Serial Port	RS-485
Edge Storage	Via micro SD/SDHC card (up to 32GB) for continuous or event recording. Search interface for event files, playback and download (card not included).
Application Programming Interface	Software Development Kit (SDK) available ONVIF compliant
ONVIF	Version: 2.41 (Support Profile S and G)
Approvals	FCC, CE, KC, RoHs IP66, IK10
ELECTRICAL	
Power Source	24 VAC 60/50Hz – PoE+ (802.3at)
Power Consumption	Approx max. 46W@AC24V (with heating)
ENVIROMENT	
Fan / Heater	Fan and heater (heater function only with 24V-AC power)
Operating Temperature	AC24V : -40°C ~ 50°C (-40°F ~ 122°F) PoE+ : 0°C ~ 50°C (32°F ~ 122°F) Cold Start AC24V: -20°C (5°F) / PoE+: 0°C (32°F)
Operating Humidity	Up to 85% RH (Non-condensing)
MECHANICAL	
Material	Aluminum , Anti-vandal bubble (Poly Carbonate)
Color	Ivory
Dimension	232 (Φ) x 297 (H) mm
Weight (Approx)	4.6 kg (10.14 lbs)

* If VCA is activate, frame rate is limit to max. 15fps@1080p. Limitations are based on V.1.9.0 firmware release and could be changed without notice
 ** depending on streaming setup and VCA usage

Dimension

(unit: mm)



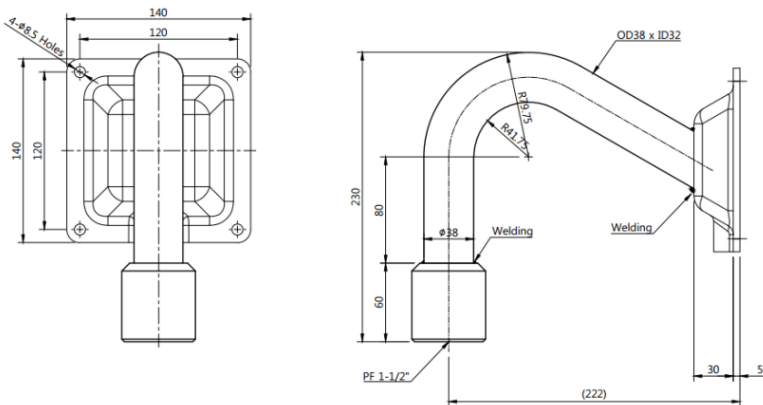
VIDEO CONTENT ANALYSIS (Included as Standard)	
High Performance	Advanced tracking algorithm and low false alarm rate
Easy to Use	Intuitive web browser interface
Detection Zones and Rules	Up to 40 zones (multi-segment polygons and lines) 60 VCA filter rules in total
On-screen Display	Real-time display of tracking data and events via activeX plug-in in IE browser
Burnt in Annotation	Allows the VCA annotation to be burnt into the raw video stream for displaying on third party application
Tamper Detection	Recognize camera tampering via VCA detection (defocusing, lens covering, camera moving)
VCAfollowIP License	Dome stand fit with VCAfollow license for basic PTZ object auto tracking feature
VIDEO CONTENT ANALYSIS (Option extension License)	
Available License	VCAdetectIP, VCAcountIP, VCAsurveillanceIP, VCAadvancedIP, VCAprofessionalIP, VCAtrackingIP
VCA Detection Filters	Objekt: Enter, Exit, Appear, Disappear, Stop, Direction, Dwell, Speed, Unauthorized Access, Counting Line, Color Filter, Object Classification
VCA Features	<ul style="list-style-type: none"> - Up to 20 Onscreen Counter Displays - Counting-Line for accuracy people and vehicle counting with local database and reporting service - VCA calibration via 3D tools for right object size detection - Several definable object class to include into the detection rules for the VCA alarm - 10 colors in total to distinguish objects by color - People tracking mode to tracks individuals separately among overlapped multiple people
VCA Preset	Storage of 16 VCA Presets: Different VCA zone (line) and VCA filter setup can be assigned to the separate preset position.
Logical Rules	Extension of alarm rules using logical operators (AND, OR..) for the VCA detection filters of created zones / lines
Info VCA	Details regarding supported VCA filters and features of the different extension licenses find on RIVA Product Overview document

Accessories

Wall Mount Bracket

Model: WMB-4600

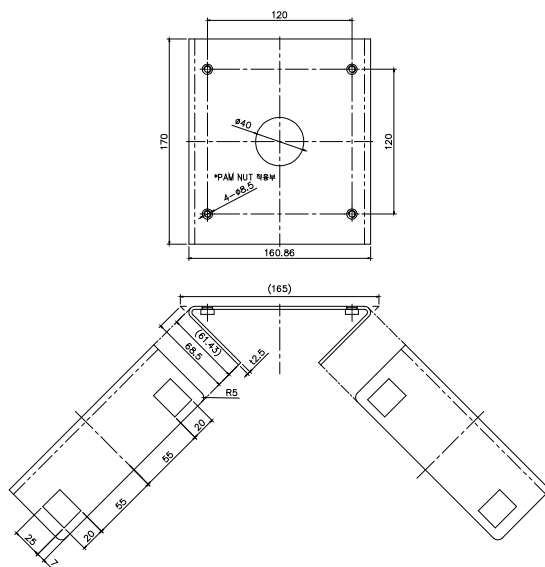
Weight: 700g (1.54lbs)



Pole Mount Adapter

Model: PMA-4600

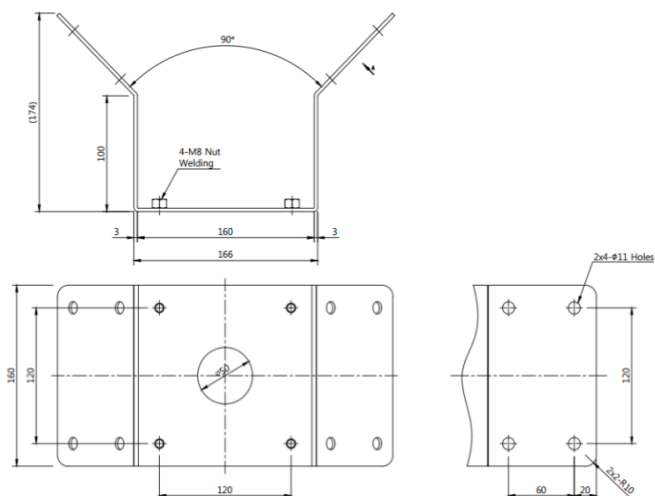
Weight: 892g (1.97lbs)



Corner Mount Adapter

Model: CMA-4600

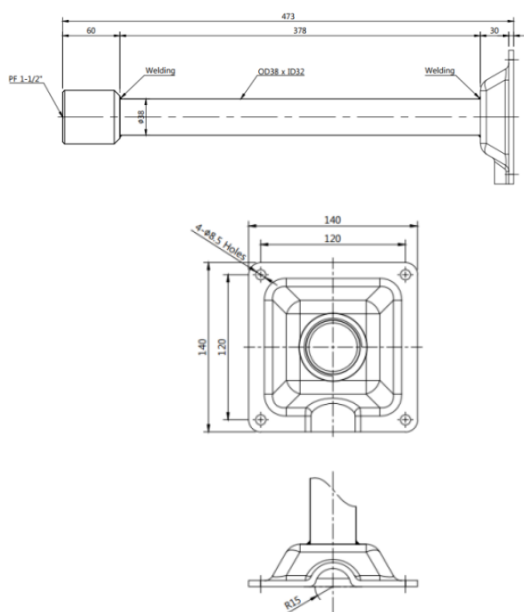
Weight: 2kg (4.4lbs)



Ceiling Mount Bracket

Model: CMB-4600

Weight: 800g (1.76lbs)



Please note: To cover IP classification of the camera housing or bracket need accordingly installation